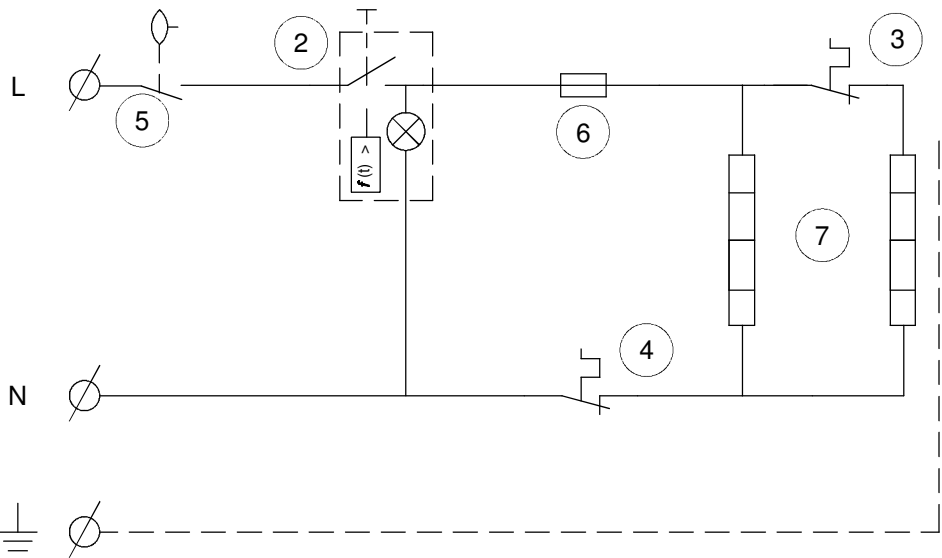
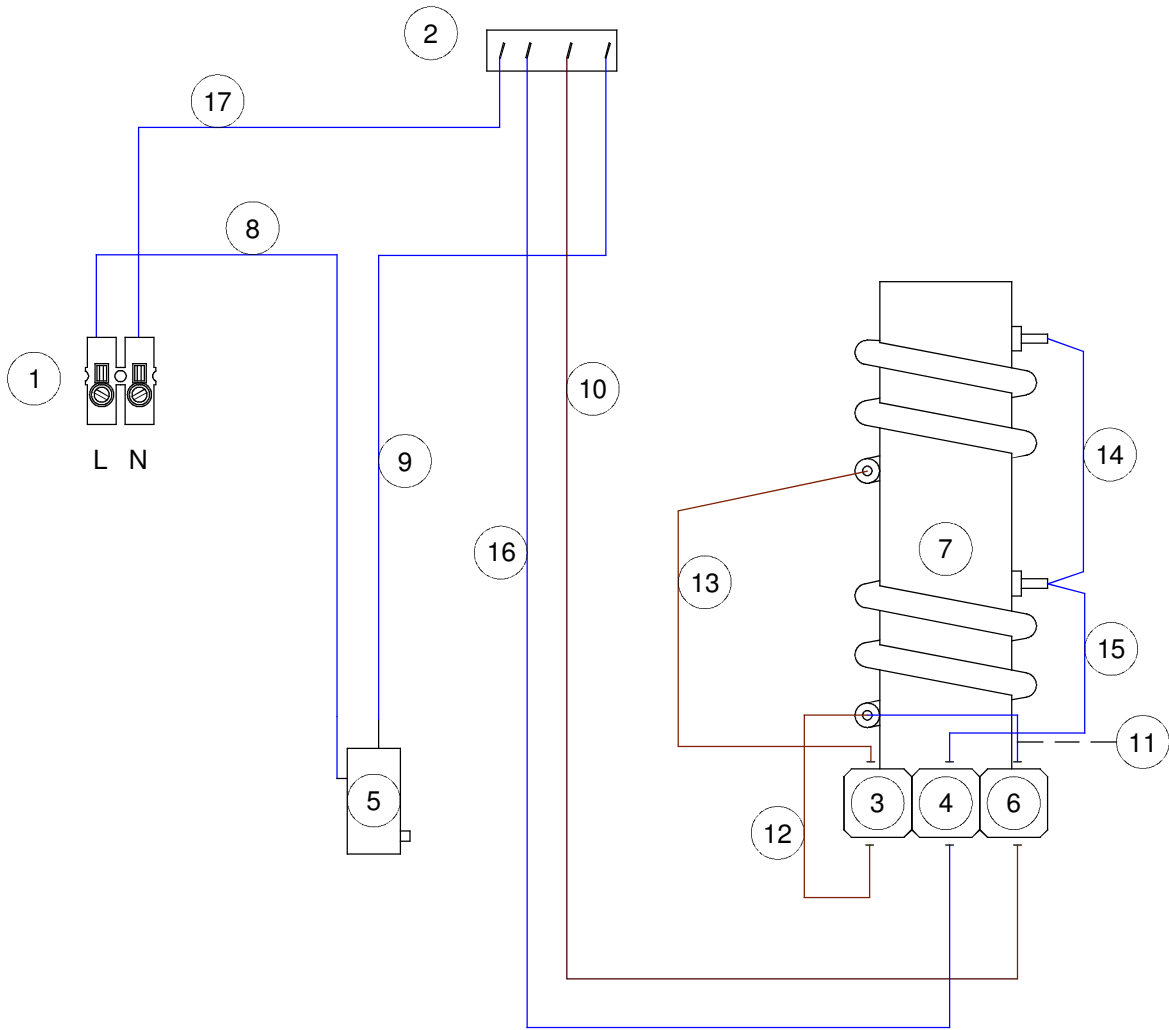
 AMERONGEN - NETHERLANDS	name	Cup-One	
	type	KB 300	
	date	30-10-2013	
	drawn	SB	check
	format	A4	page 1/1
	draw. no.	692XX	
	revision		



MOCCAMASTER

## SPARES LIST FOR CUP-ONE

Item	Description	Code
001	Lid Cup-One	13030
002	Outletpip Cup-One	53061
003	Screw 4,2x16, stainless steel, torx	70032
004	Washer, stainless steel, 23x18x2,5	74041
005	Rubber sealing washer	61190
006	Rubber adapter	60015
007	Floathood	54131
008	Float	12235
009	Coldwater container 300cc	11001
010	Housing 177 mm	*****
011	Handle left, with feet (incl. 012)	11716
012	Rubber foot	61150
013	Supply cord 3x0,75mm <sup>2</sup>	44018
014	Blockterminal 2-pole	46060
015	Screw, 2,9x19	70065
016	Cord anchorage	78175
017	Screw, 3,5x13	70055
018	Glass tube, 100 mm	31050
019	Tightening socket	12220
020	Switch pawl	54155
021	Fixingplate microswitch	54151
022	Screw M3x16	73000
023	Microswitch 16 Amp	43340
024	Rubber tube, 175 mm	60100
025	Screw, 2,9x6,5	73050
026	Boiling element, 2x500W-230V	45131
026A	Thermostat 175-145C	46270
027	Element bracket, assembly	51459
028	Screw 4,2x19 + lock washer	70081
029	Lock washer, M6	74025
030	Nut, M6	72035
031	Screw M3 + lock washer	73031
032	Sealing ring, black	11405
033	Base Cup-One, 226mm	*****
034	Switch Tippmatic 230V (AO) (ENEC), large adapter	43125
035	Filter holder Cup-One	13265
036	Filter bracket Cup-One	12770
037	Mug 300cc	32***
038	Lid Take-Away Cup	32030
039	Take-Away Cup 300cc	32***
040	Cup holder	16710
041	Cap black	12332
042	Screw 4,2x13 with capring	70140
043	Handle right, with feet (incl. 012)	11715
044	Bottom plate Cup-One	11325
045	Plastite screw, M3x6	71060
046	Measuring spoon	88104
047	Soft pick	88025



**MOCCAMASTER**

Industrieweg 20 P.O. box 34  
 3958 VR AMERONGEN 3958 ZT AMERONGEN  
 Tel: (0343) 453161 Mail: [technivorm@tref.nl](mailto:technivorm@tref.nl)  
 Fax: (0343) 454685 [www.technivorm.com](http://www.technivorm.com)

drawn by	TB	date	15-3-2013	revision / modification
checked by	FW	date	26-7-2013	a
format	A4	sheet	1 of 2	b
remark	timer switch 120 min.			c

drawing name  
**Cup One**

drawing number  
**KB300**